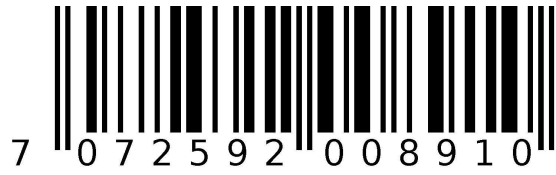




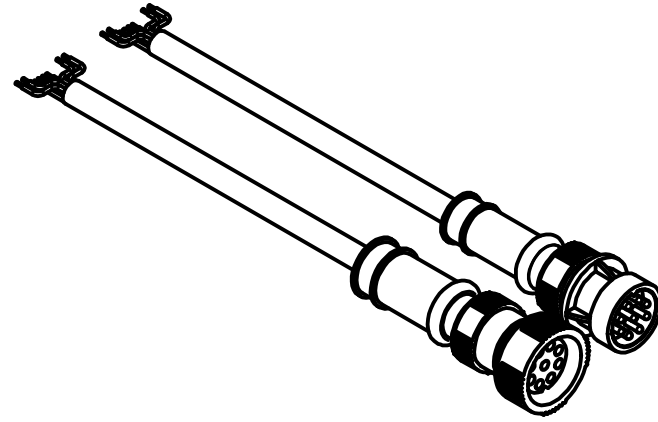
Hengeren for de kvalitetsbevisste

Cables KIT LED Resistor

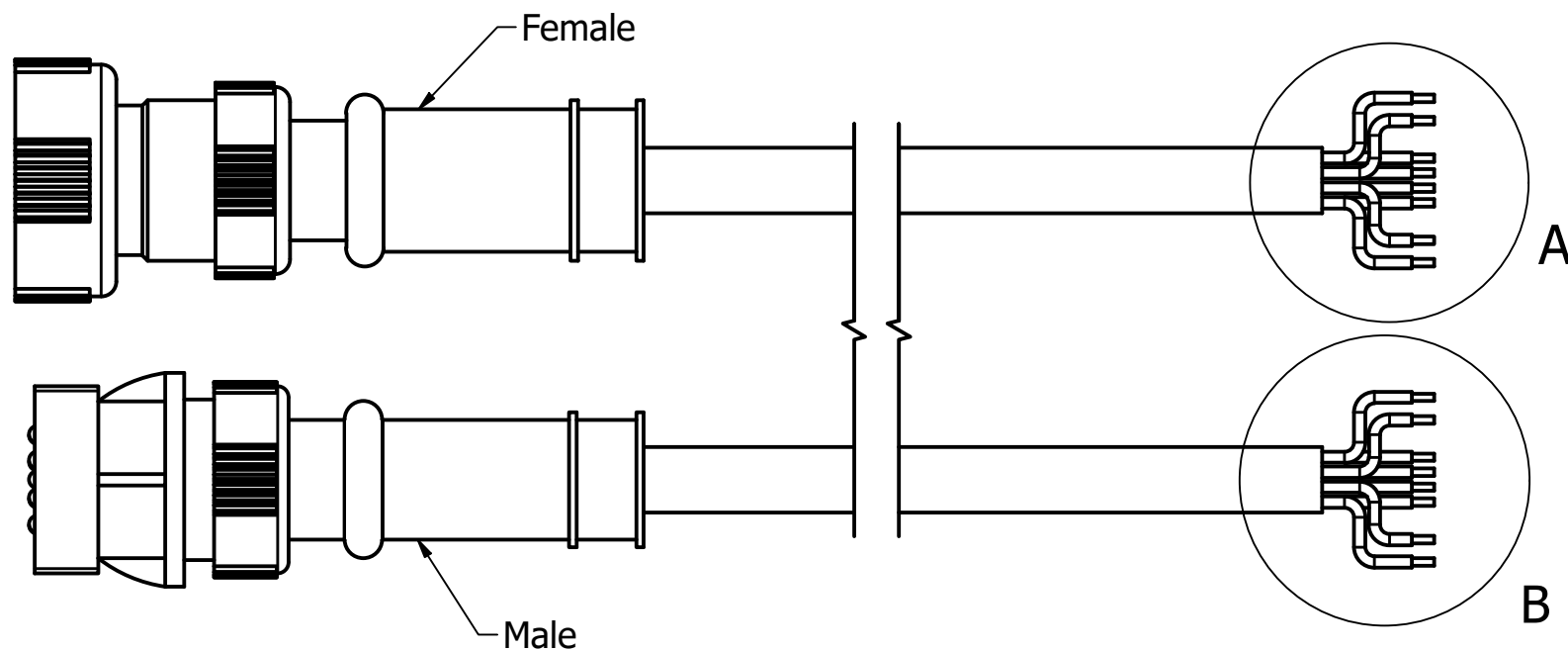
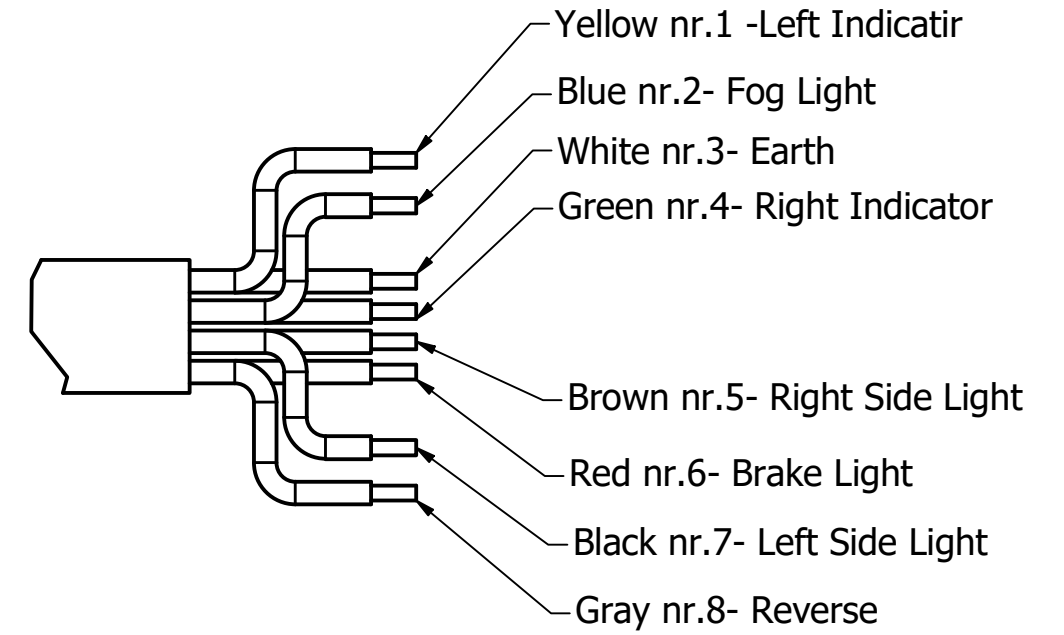
Kable adapter LED motstandsboks
Art. 13417



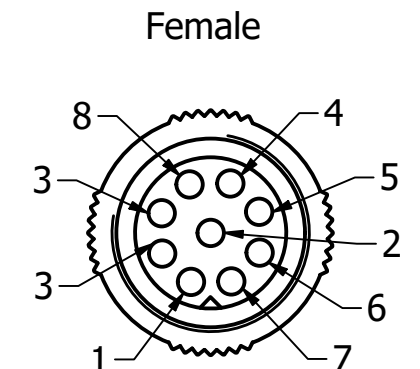
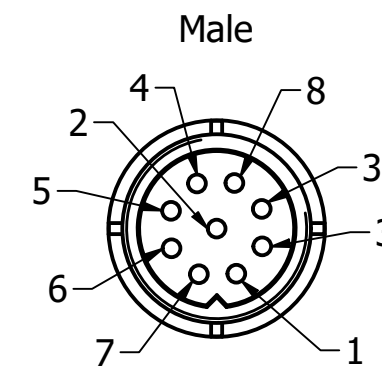
bkhengeren.no/montering



REVISION HISTORY			
REV	DESCRIPTION	DATE	AUTHOR
A			MM



A=B



GENERAL NOTE:

- Tolerances according to ISO 2768 - medium if nothing else specified.
- Hot Dip Galvanization according to ISO 1461
- Electro Galvanization according to ISO 1461
- Power Coating according to ISO 2360

Created By MM	Creation Date 26.09.2019	Total Mass 0,1 kg	Format A3	Scale 1 : 1	Sheet of Sheets 1 / 1
		Title Cables KIT assemble			
Part Number (Swelog) 13417		Drawing Number IN109987		Rev A	
Hengeren for de kvalitetsbevisste BK Hengeren AS Copyright ©		Universal parts			